

# **REELSTRONG**<sup>®</sup>

## **UTILITY FLEET**

### **RS20 POWERLOCK™ REEL STAND SPECS**



#### **EXCLUSIVE STANDARD ADDED VALUE:**

- POWERLOCK™ Technology Provides Industry Leading Safety, Ease of Use, Low Maintenance and Durability.
  - SAFETY and Peace of Mind
  - No Pins, Cotters, or Lanyards that Secure the Reel Arbor (which is the most critical safety point).
  - Faster Reel loading, Unloading, and Deployment Reduces Labor Costs and Fatigue on Workers.
- No Tools Required to Replace Reels

***BUILT FOR SAFETY. BUILT FOR SPEED. BUILT TO LAST.***

### **MAX REEL CAPACITY (customizable)**

- Diameter: 108"
- Width: 67"
- Weight: 20,000 lbs.

**ARBOR BAR:** 5.00" w/ Lift & Lock Collars (Optional Reel Adapters Available for Larger Arbor Holes)

### **DIMENSIONS (customizable)**

- Length: 88"
- Width: 98"
- Height: 67.25" w/o Reel
- Weight: 1,750 lbs.

*Actual Reel Stand Weight will Vary with Options & Finishes Chosen.*

### **STANDARD FEATURES**

- POWERLOCK™ Technology Provides Industry Leading Safety, Ease of Use, Low Maintenance and Durability.
- Arbor Assembly Lifts Out of Brake Dog w/o Side-Shifting the Arbor to Disengage
- No Tools Required to Replace Reels
- Ground Lug: Copper Alloy Bolted to Frame

### **CONSTRUCTION**

- Reinforced Truss on Rectangular Base Frame
- Steel Tube Frame Continuously Welded
- D-Rings Located on Each Corner for Tie Down

### **PAINT**

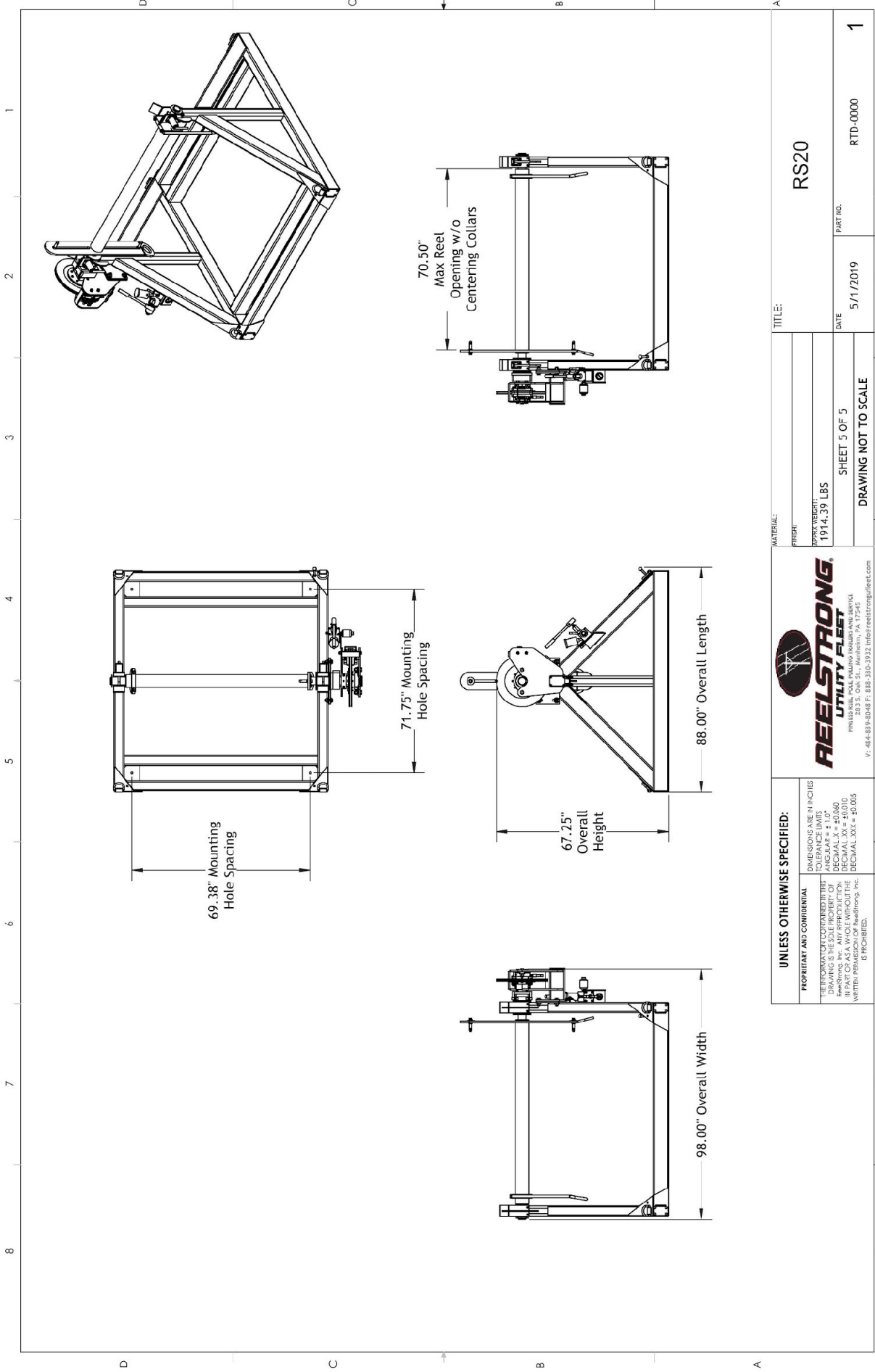
- I.M.P.A.C.T Intense Metal pH Acid Cleaning Technology
- Hydrofluoric, Sulfuric, Phosphoric ACID Blend Cleaning Preparation (Re-used sandblasting material can impregnate metals with oil)
- Rust Preventative 2-Part Epoxy Primer
- Standard Colors: Red, Black, White and CAT Yellow

### **OPTIONS**

- 13 HP HONDA Engine Hydraulic Power Pack Comes STANDARD w/ ENGINE COVER, 15 Gallon Reservoir, Replaceable Oil Filter, Pressure Gauge and Solar Fade Resistant Plastic Control Placard. (Electric Start Optional)
- 10-Year Galvanized Structural Warranty (2-Year Painted)
- 20" Bronze Alloy Ventilated Reel Brake
- Hydraulic Hand Pump, Accumulator, and Pressure Gauge. Smooth Operation and Consistent Brake Pressure. (Pairs with the 20" Reel Brake)
- 3,300 ft/lbs Torque Hydraulic Take-up Retriever. (Motor Spooled w/ Reel Brake ILO Cross-Over Relief Valve for Smooth Instant Reel Stoppage)

**OPTIONS (cont.)**

- 2-7/16" Universal Adapter for Capstan and Power Reel Attachments
- 7 Inch General Purpose Capstan
- Collapsible Power Reel
- Reel Adapters Available for Larger Reel Arbor Holes
- Aluminum or Steel Toolbox
- Wiring Connections Soldered and Sealed w/ Heat Shrink Tubing
- Strobe Warning Lights
- All Stainless Steel Fasteners (1/2" and under)



TITLE:		RS20
MATERIAL:		
PROF:		
PRICE:	1914.39 LBS	
DATE:	5/1/2019	PART NO. RTD-0000
SHEET 5 OF 5		
DRAWING NOT TO SCALE		

**REELSTRONG®**  
UTILITY FLIGHT

PHILIPPS, ORV, ST., WILMINGTON, PA 17340  
P: 484-839-8048 F: 888-330-3932 info@reelstrong.com

**UNLESS OTHERWISE SPECIFIED:**

PROPRIETARY AND CONFIDENTIAL

ALL DIMENSIONS ARE IN INCHES

UNLESS OTHERWISE SPECIFIED

THE INFORMATION CONTAINED IN THIS DRAWING IS THE SOLE PROPERTY OF REELSTRONG, INC. AND IS TO BE USED ONLY FOR THE PROJECT AND SITE IDENTIFIED HEREIN. REUSE OR REPRODUCTION WITHOUT THE WRITTEN PERMISSION OF REELSTRONG, INC. IS PROHIBITED.

TOLERANCE LIMITS:  
DIMENSIONS > 10" ± 0.060  
DIMENSIONS 10" & UNDER ± 0.010  
DECIMAL XX.X ± 0.010  
DECIMAL XXX.X ± 0.005

1 2 3 4 5 6 7 8

D C B A