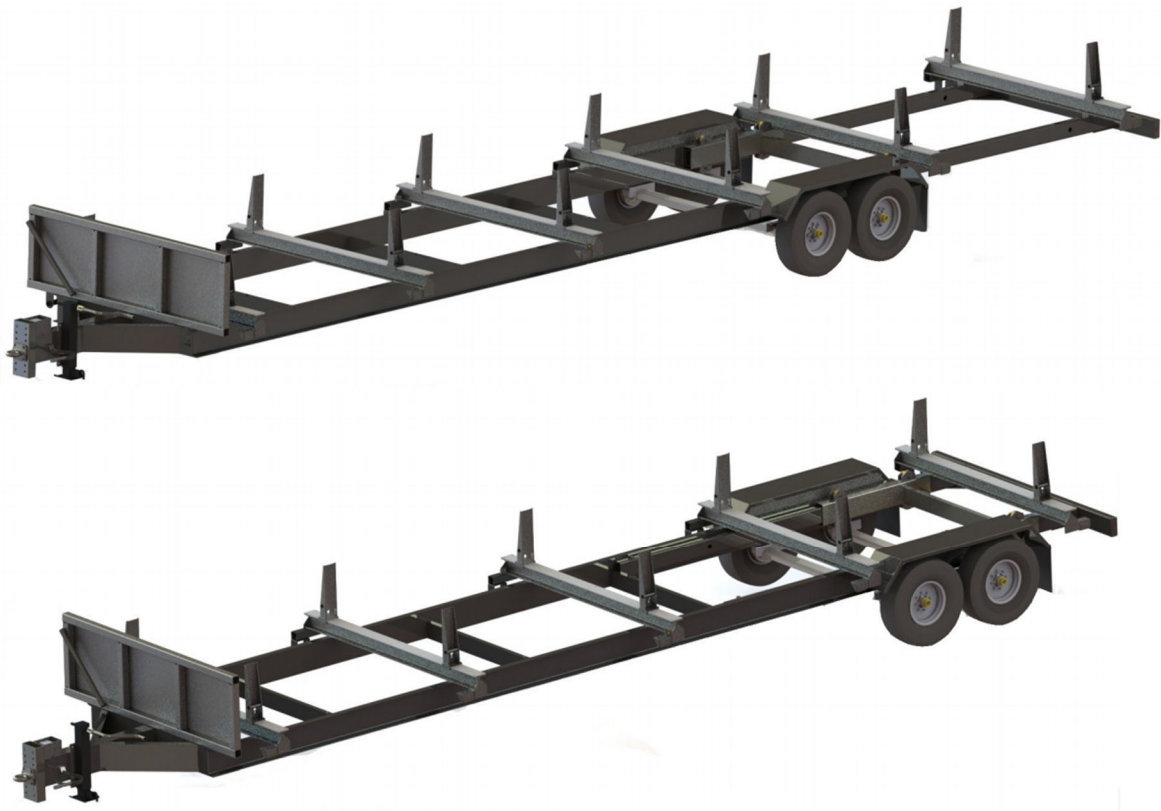


REELSTRONG®

UTILITY FLEET

SP-RE REAR EXTENDING STICK / PIPE TRAILER SPECS



EXCLUSIVE STANDARD ADDED VALUE:

- Industry Leading Safety, Ease of Use, Low Maintenance and Durability
- No-Bind EZ Slide Stanchions
- Low Center of Gravity
- UHMW Composite Bunk Pads w/ Countersunk Fasteners
- Front Bulkhead to Easily Load and Place Material
- Heavy Duty Winch Straps
- Great Price

BUILT FOR SAFETY. BUILT FOR SPEED. BUILT TO LAST.

CAPACITIES

- SP-RE14: 16,100 lbs. GVWR @ 15% Tongue Weight
- SP-RE20: 22,100 lbs. GVWR @ 15% Tongue Weight

AXLES

- SP-RE14: Tandem 7K lbs. Torsion
- SP-RE20: Tandem 10K lbs. Sprung

WHEELS

- SP-RE14: (4) 16 x 6K / 8 on 6.5 BC w/ Zeroset
- SP-RE20: (4) 17.50 x 6.75 HC / 8 on 6.5 BC w/ 0.19 Inset

TIRES

- SP-RE14: (4) ST-235/85R16 LR-E Tires
- SP-RE20: (4) ST-215/75R17 LR-H Tires

BRAKES

- SP-RE14: 12.00" x 2.00" Electric w/ Safety Breakaway Kit
- SP-RE20: 12.25" x 3.38" Electric w/ Safety Breakaway Kit

PAYLOAD: ALL FINAL PAYLOADS BASED ON CHOSEN MODEL AND OPTIONS

OVERALL LENGTH

- Bed Length: 33' (Retracted) and 40' (Extended)
- Overall Length: 45.3'

OVERALL WIDTH: 96" (customizable)

OVERALL WEIGHT: Actual Trailer Weight will Vary with Options & Finishes Chosen.

POLE SEAT HEIGHT: 34"

STANDARD FEATURES

- No-Bind EZ Slide Stanchions
- Oil Bath Hubs (Greaseable Option All)
- Electric Brakes
- Wheel Chock Holders
- Heavy Duty Winch Straps
- Front Bulkhead to Easily Load and Place Material
- Low Center of Gravity

POLE SECUREMENT

- Pole Rests: 5" H Beam w/ UHMW Composite Pads
- Winch Binders, Ratcheting Breaker Bar and Bar Pocket

STANDARD TRAILER BODY

- Heavy Duty 12" Channel Frame
- Heavy Duty 6" Channel Crossmembers
- 7-Position Adjustable Hitch
- 3/8" X 36" GR70 Yellow Zinc Safety Chains with Hooks
- 12,000 lbs. Static Front Jack w/ Spring Return

WIRING

- DOT / ICC Approved LED Lights and Conspicuity Reflective Tape
- Internal Cat Track Protects Wiring (and air brakes if applicable)
- Removable Rear Access Door for Cat Track and Wiring
- Sealed Beam, Rubber Mounted Stop, Turn, Tail and Marker Lights
- 100% Sealed Heat-Shrunked Wiring Connections w/ Full Loom
- Breakaway Kit with Absorbed Glass Mat (AGM) Battery

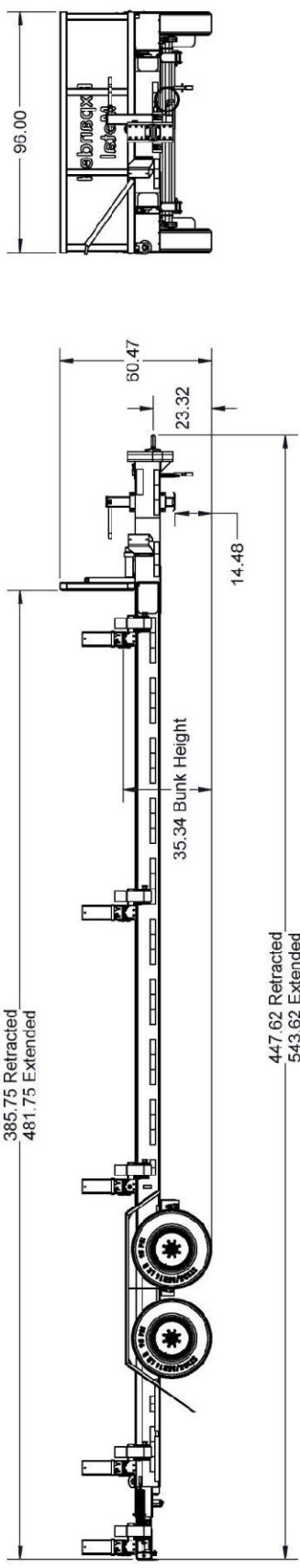
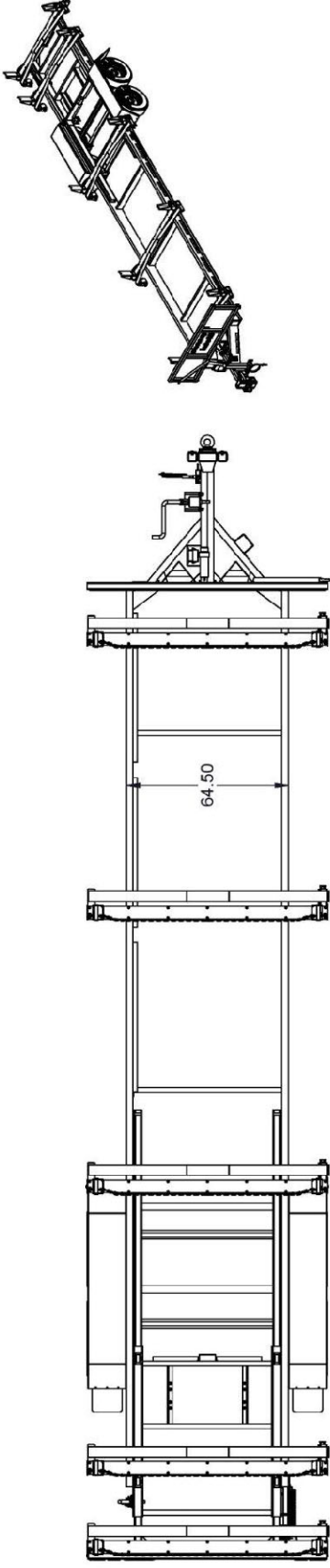
PAINT

- Biodegradable Pretreat Acid Cleaning (Superior to re-used sandblasting material that can impregnate metals with oil)
- Seams Caulked
- Rust Preventative 2-Part Epoxy Primer
- Standard Colors: Red, Black, White and CAT Yellow

OPTIONS

- 10-Year Galvanized Structural Warranty (2-Year Painted)
- 10K-HD / 15K / 20K Axles Available w/ Air Brakes
- Anti-Lock Brakes (ABS)
- 16" Long 6-Bolt Hitch Extension (w/ 52" Safety Chains and Breakaway Cable Extension)
- 3" Lunette Eye
- Wiring Connections Soldered and Sealed w/ Heat Shrink Tubing
- Plug-and-Play Sealco Wiring Harness
- Wheel Chocks: Rubber or All Weather Galvanized Grip Strut
- Spare Tire and Mount
- Solar Charged Breakaway Kit
- Truck-Lite Lighting
- Lug Nut Indicators

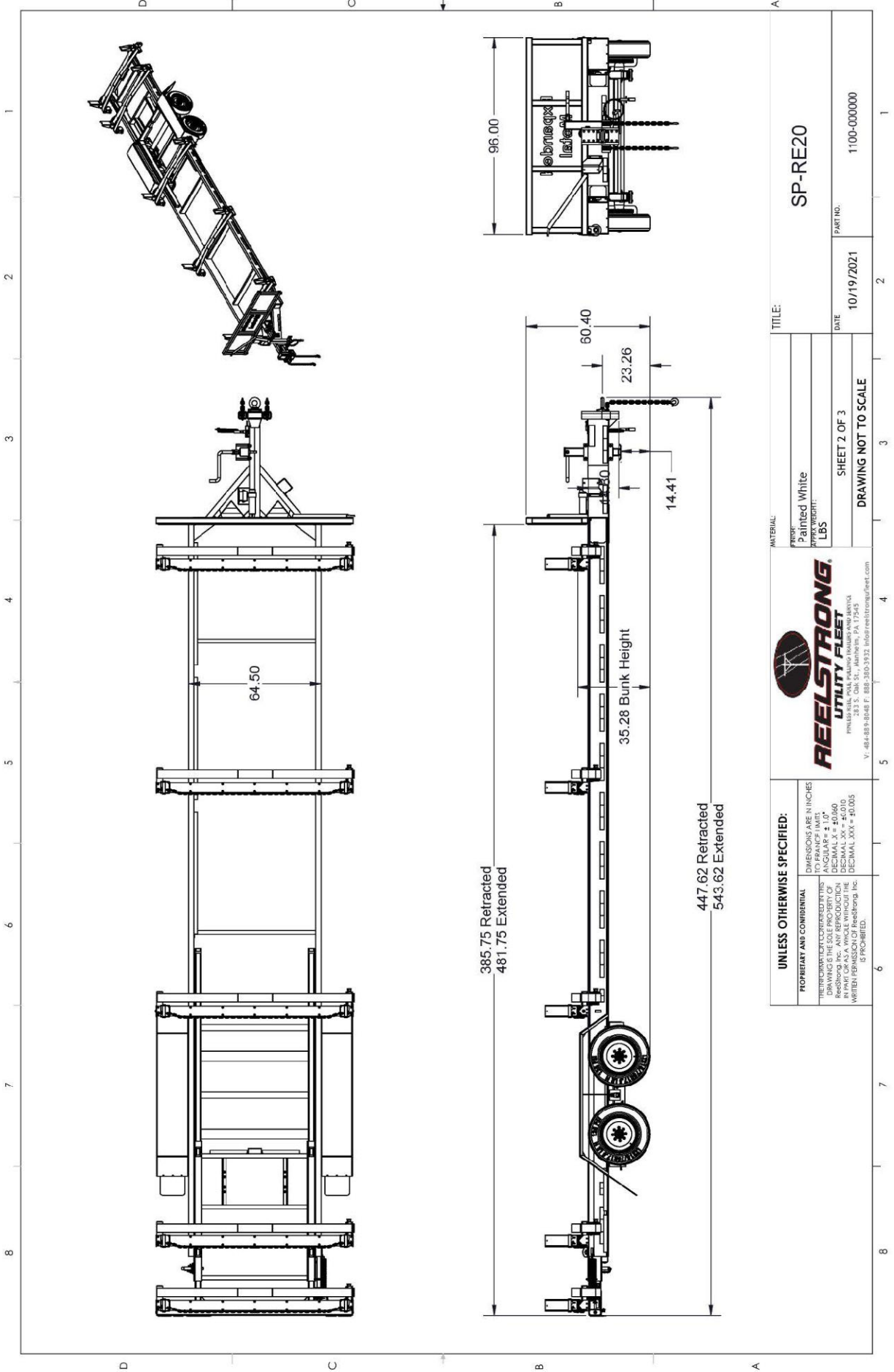
8 7 6 5 4 3 2 1



447.62 Retracted
543.62 Extended

UNLESS OTHERWISE SPECIFIED: DIMENSIONS ARE IN INCHES TOLERANCE LIMITS ANGULAR ± 1.0° DECIMAL .XX ± .0000 IN PART OR AS A WHOLE FURNISH THE MATERIAL TO REELSTRONG INC. BY PROHIBITED.		REELSTRONG UTILITY FLEET <small>PHILIP PAUL POHL, PHILIPPO TOMMASI AND GIOVANNI V. 484-839-3241 F. 888-326-9732 info@reelstrongfleet.com</small>		TITLE: SP-RE14
MATERIAL: FINISH: Painted White APPROX WEIGHT: LBS		DATE: 10/19/2021		
SHEET 4 OF 4 DRAWING NOT TO SCALE		PART NO.: 1100-000000		

8 7 6 5 4 3 2 1



UNLESS OTHERWISE SPECIFIED: DIMENSIONS ARE IN INCHES UNLESS OTHERWISE SPECIFIED TO FRANCHISEES DRAWINGS IS THE SOLE PROPERTY OF REELSTRONG, INC. ANY REPRODUCTION WITHOUT PERMISSION OF REELSTRONG, INC. IS PROHIBITED.		REELSTRONG UTILITY FLEET <small>PHILADELPHIA, PA. 19103-1000 233 S. COX ST., PHILADELPHIA, PA. 19103 V. 484-888-8888 F. 484-239-3322 Email: ree@reelstrong.com</small>		TITLE: SP-RE20	
MATERIAL: Finish: Painted White Approx Weight: LBS		DATE: 10/19/2021		PART NO.: 1100-000000	
SHEET 2 OF 3 DRAWING NOT TO SCALE					