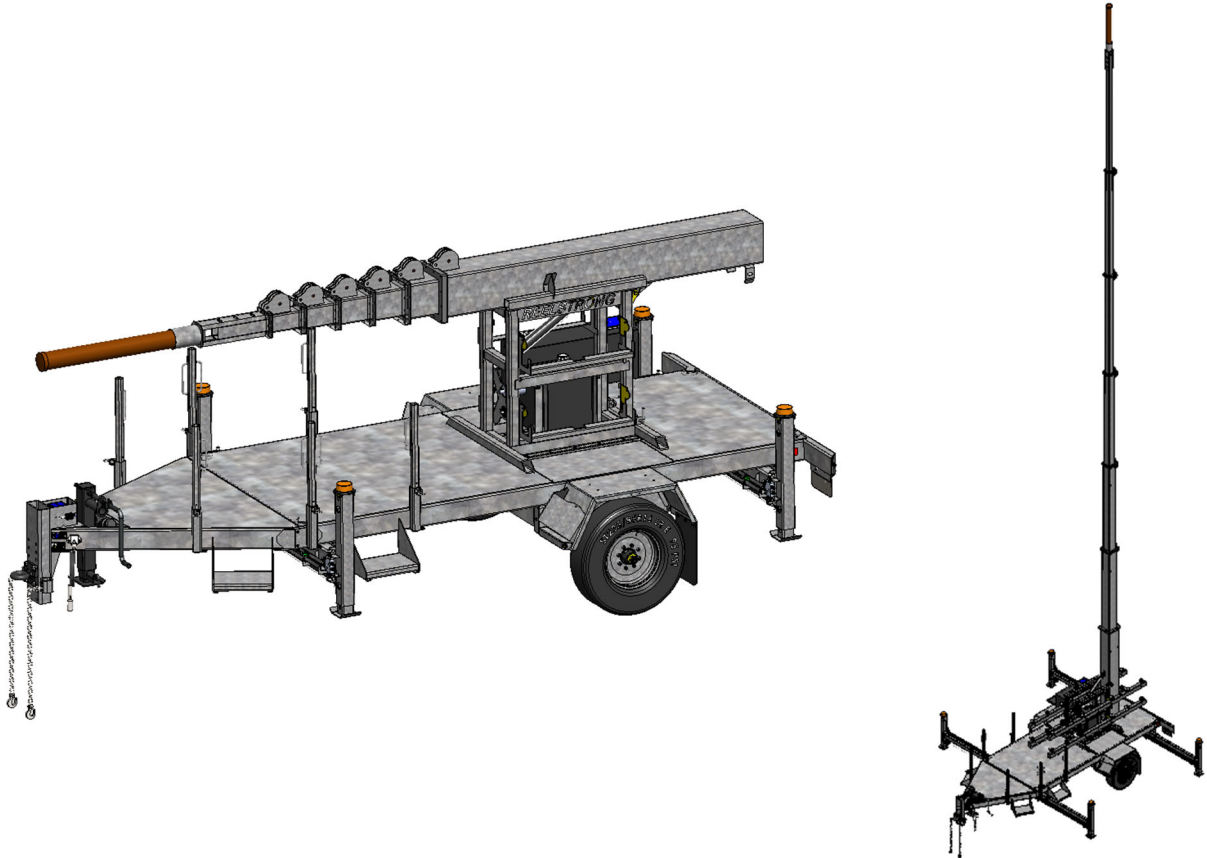


REELSTRONG®

UTILITY FLEET

EZ-POLE™ TEMPORARY POLE SOLUTION SPECIFICATION



LOWEST TOTAL COST OF OWNERSHIP (TCO) via:

- Telescoping Mast with Unparalleled Safety Features and Redundancies
- Designed for Ease-of-Use, Reliability, and Low-Maintenance.
- Built to be Tamper Resistant while left in the Field.
- Tool Circuit Driven System to Help Prevent Theft, Reduce, Maintenance, and Decrease the Total Cost of Ownership.
- Galvanized Finish w/ a 10-Year Structural Warranty for Enhanced Durability and Protection.

BUILT FOR SAFETY. BUILT FOR SPEED. BUILT TO LAST.

GVWR: 8,050 lbs. @ 15% Tongue Weight

CURB WEIGHT: 8,050 lbs. Approx.

AXLE: Single 7K lbs. Torsion

WHEELS: (2) 16 x 6K / 8 on 6.5 BC w/ Zeraset

TIRES: (2) ST-235/85R16 LR-E Tires

BRAKES: 12.00" x 2.00" Electric w/ Safety Breakaway Kit

POLE EQUIVALENT: Up to a 60' Pole w/ 7.5' of Additional Height to Raise the Wires

VERTICAL MAST CAPACITY: 2,000 lbs.

POWER SOURCE: Tool Circuit via Truck

POWER FOR LIGHTS: Self-Contained w/ Solar Charger for Amber Safety Lights

LENGTH: Approx. 228.75"

WIDTH: Approx. 101"

HEIGHT: Approx. 95.75"

OUTRIGGERS: Hydraulic Extending and Telescoping Mid and Rear Outriggers.

STANDARD FEATURES

- Telescoping Mast with Unparalleled Safety Features and Redundancies
 - The Main Extension Utilizes an ACME Rod (no need to rely on check valves in case of an emergency)
 - The 2nd through 5th Extension uses Tandem Extension Cables (if a cable would break, you have an addition one to ensure the mast doesn't drop.)
 - Double Locking Mechanism to Secure the Pole in the Upright Position.
 - Hydraulic Extending and Telescoping Mid and Rear Outriggers.
- Designed for Ease-of-Use, Reliability, and Low-Maintenance.
 - Built to be Tamper Resistant while left in the Field.
 - Tool Circuit Driven System to Help Prevent Theft, Reduce, Maintenance, and Decrease the Total Cost of Ownership.
 - Lockable Control Station to Prevent Tampering.
 - Lockable Battery Box w/ Light Controls.
 - Solar Charged Battery to Power the Amber Beacons.
 - Galvanized Finish w/ a 10-Year Structural Warranty for Enhanced Durability and Protection.

STANDARD FEATURES (cont.)

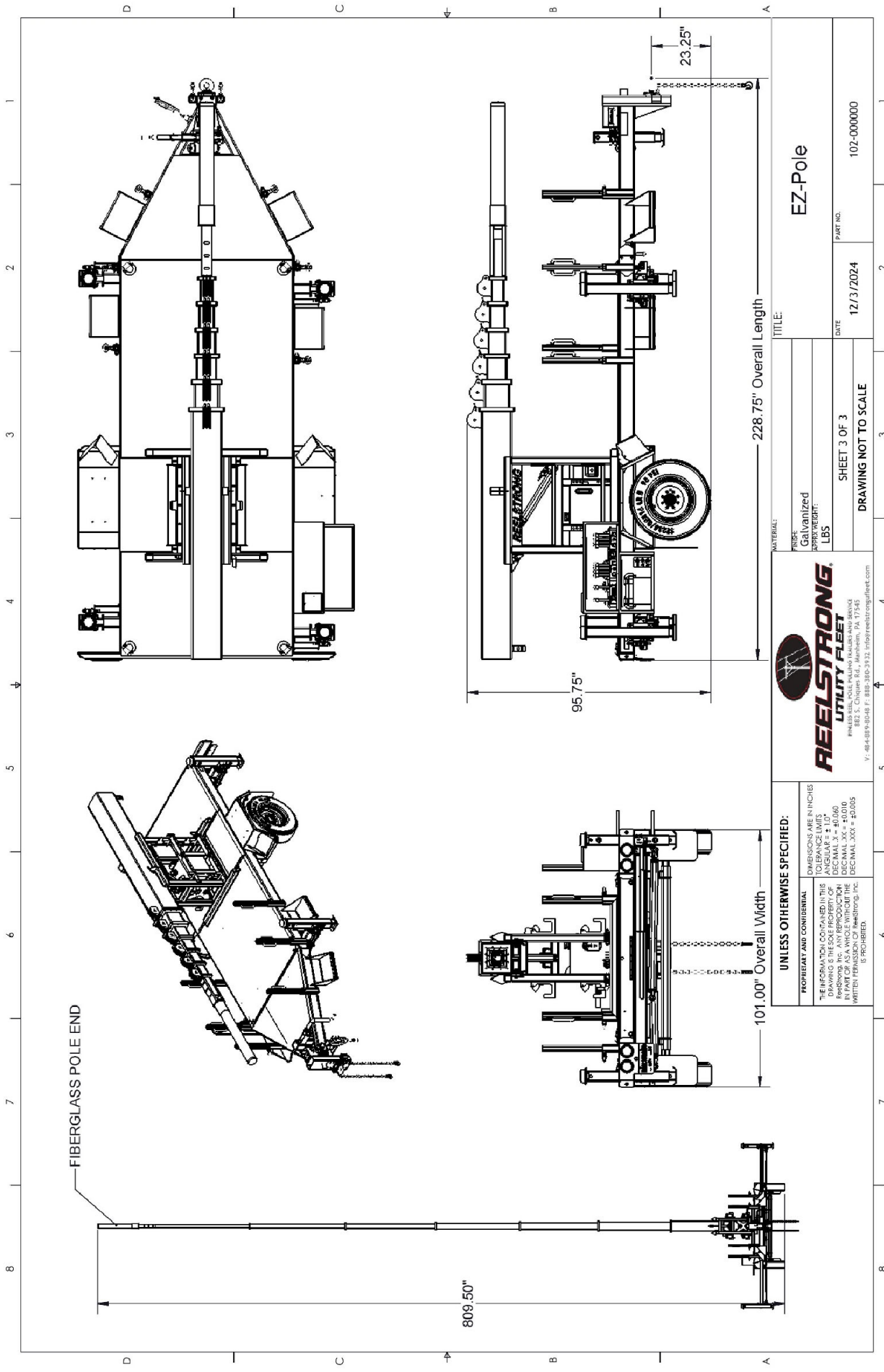
- Cross Arm Storage
- User Friendly Work Area to Mount Cross Arms to the Fiberglass Pole.

STANDARD TRAILER BODY

- 6" X 3" X 1/4" Frame
- 6-Position Adjustable Hitch
- 3/8" X 36" GR70 Yellow Zinc Safety Chains with Hooks
- 12,000 lbs. Static Front Jack w/ Spring Return

WIRING

- DOT / ICC-- FMVSS / CMVSS Approved LED ULTRA- HIGH VISIBILITY 180 DEGREE BULLET Marker and Clearance Lights
- LED Sealed Beam Rubber Mounted Stop, Turn, Tail and Marker Lights
- **Internal Cat Track** Protects Wiring (and air brakes if applicable)
- Removable Rear Access Door to Access Cat Track and Wiring
- 100% Sealed Heat-Shrunked Wiring Connections w/ Full Loom
- Breakaway Kit with Absorbed Glass Mat (AGM) Battery
- FULLY PROTECTED 7 or 6 Way Female Plug acts as Junction Box Recessed in FRAME RAIL.
No Easily Damaged Plastic Junction Boxes



REELSTRONG UTILITY FLEET <small>PHILADELPHIA, PA. 19104 • 800-888-8888 • 610-835-8888 • 610-835-8889</small>		MATERIAL: Galvanized APPROX WEIGHT: LBS SHEET 3 OF 3 DRAWING NOT TO SCALE	
TITLE: EZ-Pole DATE: 12/3/2024 PART NO.: 102-000000		DIMENSIONS ARE IN INCHES UNLESS OTHERWISE SPECIFIED: ANGLES ARE ± 1.0° DECIMALS = ± 0.060 DECIMALS XX = ± 0.010 DECIMALS XXX = ± 0.005 UNLESS OTHERWISE SPECIFIED, ALL DIMENSIONS ARE TO FACE UNLESS NOTED OTHERWISE.	

