

# **REELSTRONG<sup>®</sup>**

## **UTILITY FLEET**

### **PLC POWERLOCK™ REEL / CARGO TRAILER SPECS**



#### **LOWEST TOTAL COST OF OWNERSHIP (TCO) via:**

- **LIFETIME WARRANTY PINLESS POWERLOCK™** Reel Bar Securement
- No Pins or Cotters to Secure Reel Bar (*most critical safety point*).
- Fastest, Safest Loading, Unloading and Deployment Reduces Labor.
- Yellow Zinc Electro-Plated and Stainless Precision Machined Components
- **PRACTICAL:** No Expensive, Unnecessary Bronze Components, yet we Don't Cut Corners and Provide Premium, Heavy Duty, Top-Quality Latches, Hardware, Fittings and Components.
- OPEN TOP, "NON ENCAPSULATED" NYLATRON BEARING SADDLE (low-coefficient of friction). OPEN TOP = LESS FRICTION/LOW MAINTENANCE and EASIER PAY-OUT. (Haven't Replaced a Saddle due to Wear in 13 Years)

**BUILT FOR SAFETY. BUILT FOR SPEED. BUILT TO LAST.**

## **CAPACITIES**

- PLC8: 11,050 lbs. GVWR @ 15% Tongue Weight
- PLC12: 16,100 lbs. GVWR @ 15% Tongue Weight
- PLC18: 22,100 lbs. GVWR @ 15% Tongue Weight

## **AXLES**

- PLC8: Single 10K lbs. Sprung
- PLC12: Tandem 7K lbs. Torsion
- PLC18: Tandem 10K lbs. Sprung

## **WHEELS**

- PLC8: (2) 17.5 x 6.75 HC / 8 on 6.5 BC w/ 0.19 Outset
- PLC12: (4) 16 x 6K / 8 on 6.5 BC w/ Zeroset
- PLC18: (4) 17.5 x 6.75 HC / 8 on 6.5 BC w/ 0.19 Outset

## **TIRES**

- PLC8: (2) LT-215/75R17.5 LR-H Tires
- PLC12: (4) ST-235/85R16 LR-E Tires
- PLC18: (4) LT-215/75R17.5 LR-H Tires

## **BRAKES**

- PLC8: 12.25" x 3.38" Electric w/ Safety Breakaway Kit
- PLC12: 12.00" x 2.00" Electric w/ Safety Breakaway Kit
- PLC18: 12.25" x 3.38" Electric w/ Safety Breakaway Kit

## **PAYLOAD: ALL FINAL PAYLOADS BASED ON CHOSEN MODEL AND OPTIONS**

### **REEL / CARGO WEIGHT (PAYLOAD)**

- PLC8: 8,200 lbs Approx
- PLC12: 12,500 lbs Approx
- PLC18: 18,050 lbs Approx

***(ADDITIONAL WEIGHT OF OPTIONS REDUCES PAYLOAD)***

### **CARGO AREA:**

- PLC8: 5' x 10'
- PLC12: 71" x 12'
- PLC18: 71" x 12'

### **CARGO BED DEPTH:**

- PLC8: 18"
- PLC12: 24"
- PLC18: 24"

**REEL DIAMETER:** 72" Max (Larger dia. available)

**REEL WIDTH:**

- PLC8: 54" (60" wide optional if trailer is made wider)
- PLC12: 60"
- PLC18: 60"

**REEL BAR DIA:** 2.5"

**OVERALL LENGTH:**

- PLC8: 15' Approx
- PLC12: 231" Approx
- PLC18: 231" Approx

**OVERALL WIDTH:** See Drawings

**OVERALL WEIGHT:**

- PLC8: 2,850 lbs. Approx.
- PLC12: 3,600 lbs Approx
- PLC18: 4,050 lbs Approx

*Actual Trailer Weight will Vary with Options & Finishes Chosen.*

**STANDARD FEATURES**

- LIFETIME WARRANTY PINLESS POWERLOCK™ on Reel Stand
- Oil Bath Hubs (Greaseable Option All)
- Electric Brakes
- Wheel Chock Holders
- Dexter Axles
- OPEN TOP, "NON ENCAPSULATED" NYLATRON BEARING SADDLE (low-coefficient of friction). OPEN TOP = LESS FRICTION/LOW MAINTENANCE and EASIER PAY-OUT. (Haven't Replaced a Saddle due to Wear in 13 Years)

**STANDARD TRAILER BODY**

- 5" X 2" X ¼" Tubular Frame
- 6-Position Adjustable Hitch
- ¾" X 36" GR70 Yellow Zinc Safety Chains with Hooks
- ½" X 42" GR70 Yellow Zinc Safety Chains for Models Exceeding 18,000 lbs. GVWR
- 12,000 lbs. Front Jack w/ Spring Return
- Ground Lug: Copper Alloy Star Washer Bolted to Frame (Welded Optional)
- Fenders: ⅛" Fabricated Diamond Plate
- Catwalks w/ Anti-Slip SERRATED Surface
- (2) Rear 8,000 lbs. CRANK-DOWN Outrigger Jacks
- Wheel Chock Holders
- Built-in Reel Pockets to Accept Optional Removable Reel Stands

## **STANDARD TRAILER BODY (cont.)**

- 10K Sprung Axles w/ Air Brakes and ABS (Requires 102" Overall Width)
- Bed Sides: 18" Tall (PLC8), 24" Tall (PLC10/PLC16)
- Cross Tongue Top-Opening Toolbox w/ Lift Maintainer Design

## **WIRING**

- DOT / ICC-- FMVSS / CMVSS Approved LED ULTRA- HIGH VISIBILITY 180 DEGREE BULLET Marker and Clearance Lights
- LED Sealed Beam Rubber Mounted Stop, Turn, Tail and Marker Lights
- 100% Sealed Heat-Shrunked Wiring Connections w/ Full Loom
- Breakaway Kit with Absorbed Glass Mat (AGM) Battery
- FULLY PROTECTED 7 or 6 Way Female Plug acts as Junction Box Recessed in FRAME RAIL. No Easily Damaged Plastic Junction Boxes!

## **PAINT**

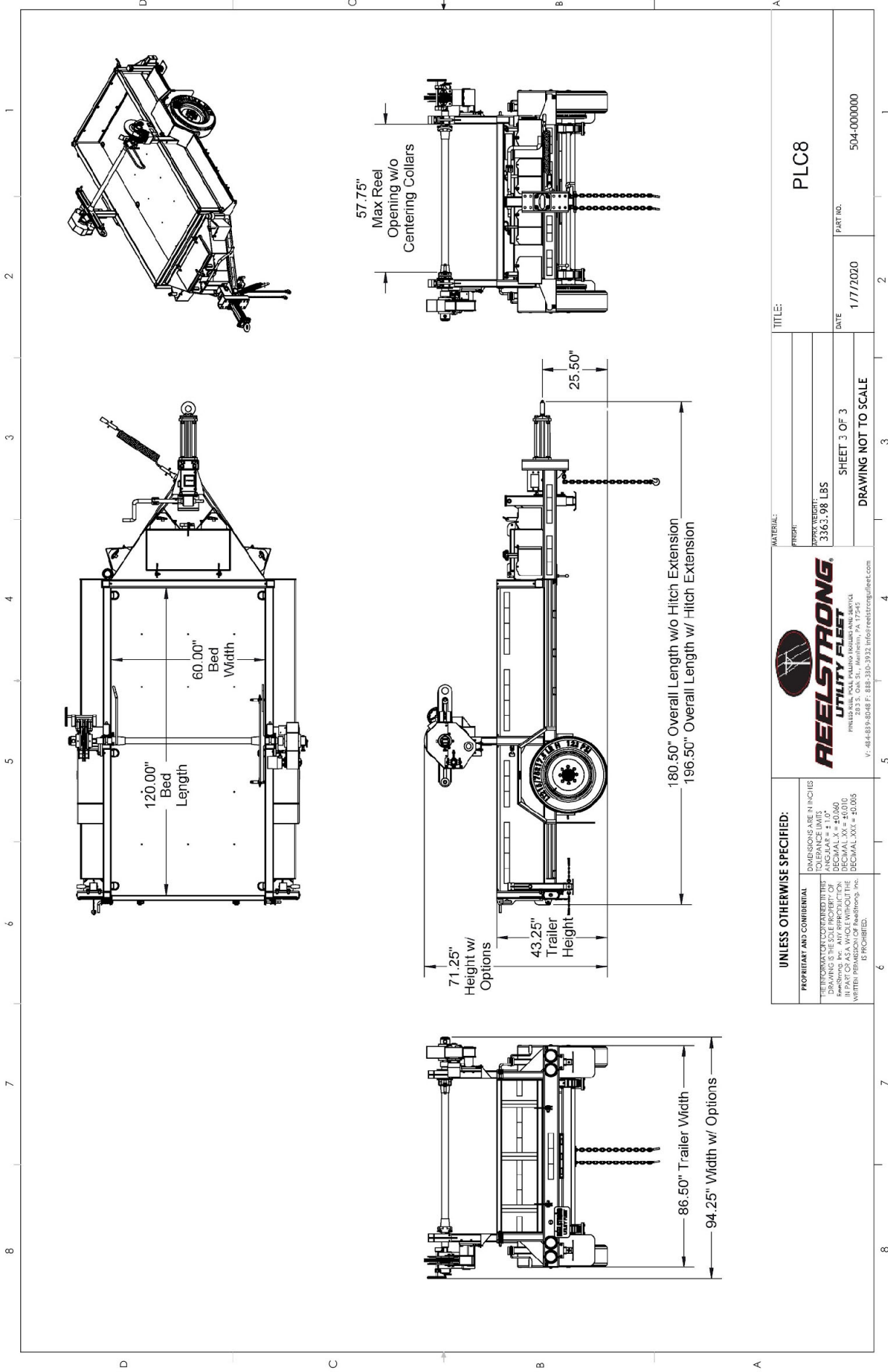
- Biodegradable Pretreat Acid Cleaning (Superior to re-used sandblasting material that can impregnate metals with oil)
- Seams Caulked
- Rust Preventative 2-Part Epoxy Primer
- Two-Part Polyurethane Topcoats (2 topcoats)
- Standard Colors: White and CAT Yellow (Custom Available)

## **OPTIONS**

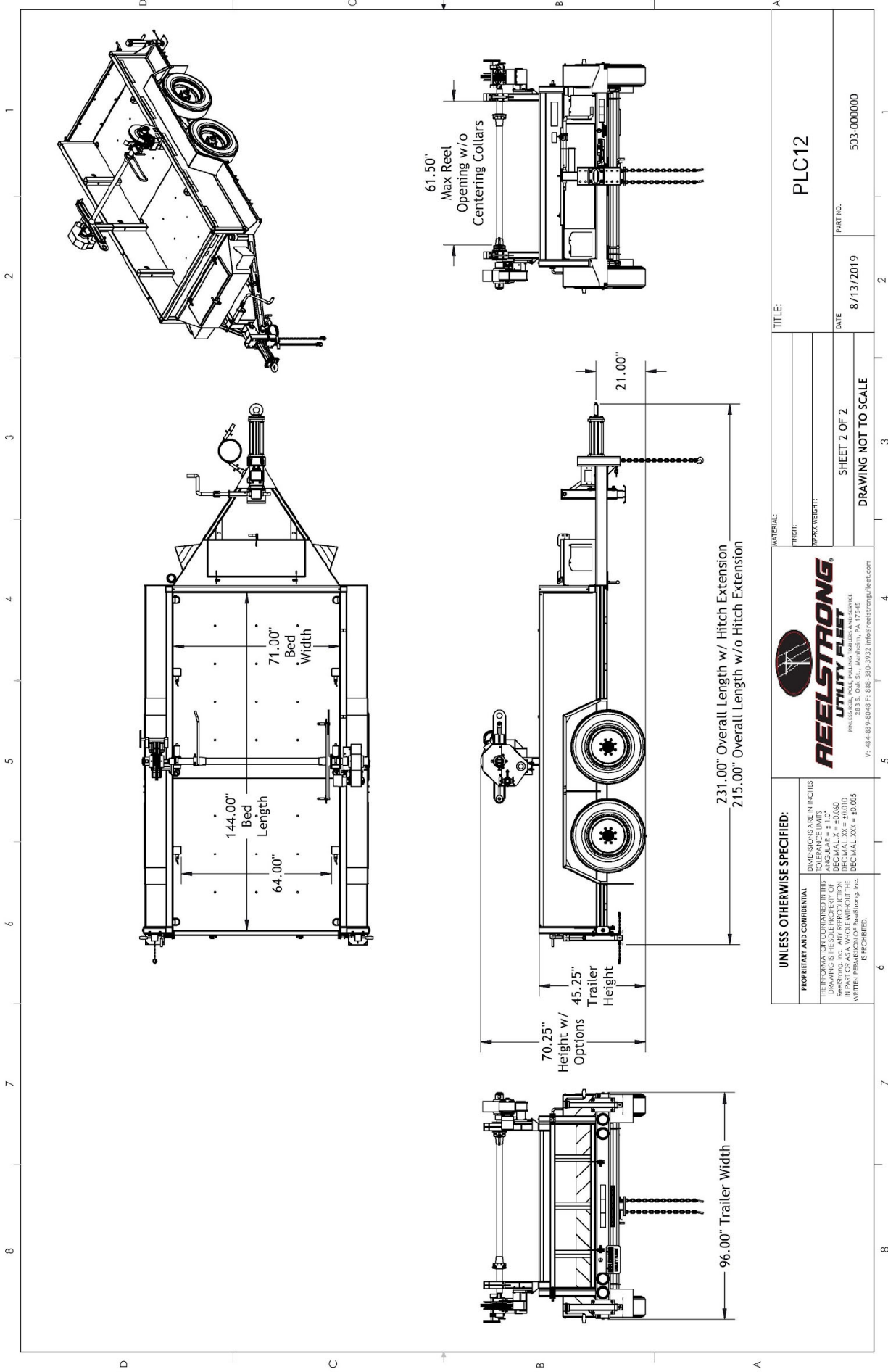
- 13 HP HONDA Engine Hydraulic Power Pack Comes STANDARD w/ ENGINE COVER, 15 Gallon Reservoir, Replaceable Oil Filter, Pressure Gauge and Solar Fade Resistant Plastic Control Placard. (Electric Start Optional)
- 10-Year Galvanized Structural Warranty (2-Year Painted)
- 18", 20" Tall Cargo Wall
- Custom Lengthened Trailer Chassis to Fit 13HP Engine Pack (Available for all Models)
- Aluminum Engine Cover
- Removable Reel Stands
- 3,300 ft/lbs Torque Hydraulic Take-up Retriever. *(Motor Spooled w/ Reel Brake ILO Cross-Over Relief Valve for Smooth Instant Reel Stoppage)*
- 2-7/16" Universal Adapter for Capstan and Power Reel Attachments
- 16" Bronze Alloy TRU-STOP Ventilated Reel Brake w/ Ventilated Guard
- 7 Inch General Purpose Capstan
- Collapsible Power Reel
- Rotating Arbor Ground
- 16" Long 6-Bolt Hitch Extension (w/ 52" Safety Chains and Breakaway Cable Extension)
- 3" Lunette Eye
- All Stainless Steel Fasteners (1/2" and under)
- Anti-Skid/Anti-Glare Sand Paint on all Walking Surfaces
- Various Trailer Light Plugs (Customer Choice)
- Wiring Connections Soldered and Sealed w/ Heat Shrink Tubing

**OPTIONS (cont.)**

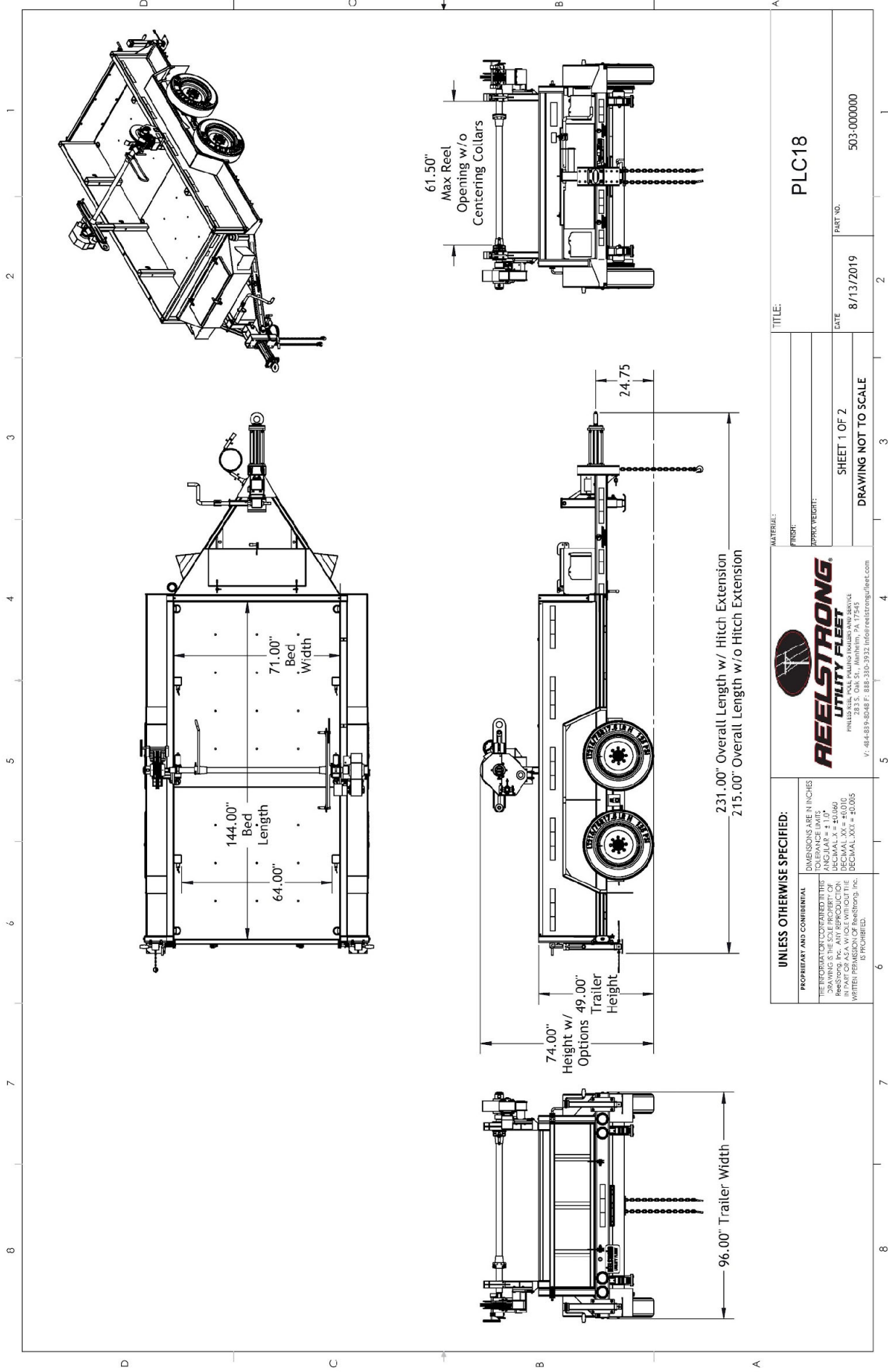
- Plug-and-Play Sealco Wiring Harness
- Wheel Chocks: Rubber or All Weather Galvanized Grip Strut
- Spare Tire and Mount
- Solar Charged Breakaway Kit
- Strobe Warning Lights
- Truck-Lite Lighting
- Additional Wheel Chock Holders (2 Standard, 4 Optional)
- Lug Nut Indicators
- Lateral Turret Option (Size Customizable)



|   |  |   |  |
|---|--|---|--|
| <b>UNLESS OTHERWISE SPECIFIED:</b><br>DIMENSIONS ARE IN INCHES<br>TOLERANCE LIMITS<br>DECIMAL - .005<br>FRACTIONAL - 1/16<br>HOLE - .001<br>HITCH COUPLER ASSEMBLY WITHOUT THE<br>WRITTEN PERMISSION OF Reelstrong, Inc.<br>IS PROHIBITED.  |  | <b>REELSTRONG®</b><br><b>UTILITY FLIGHT</b><br>203 S. Oak St., Wallingford, PA 17340<br>P: 484-839-8048 F: 888-330-3932 info@reelstrong.com |  |
| <b>PROPRIETARY AND CONFIDENTIAL</b><br>THE INFORMATION CONTAINED IN THIS<br>DRAWING IS THE SOLE PROPERTY OF<br>REELSTRONG, INC. IT IS TO BE USED<br>ONLY FOR THE PROJECT AND QUANTITY<br>SPECIFIED HEREON. ANY REUSE OR<br>REPRODUCTION OF THIS DRAWING<br>WITHOUT THE WRITTEN PERMISSION OF<br>REELSTRONG, INC. IS PROHIBITED. |  | <b>PLC8</b><br>TITLE:   |  |
| MATERIAL:   |  | PART NO. 504-000000   |  |
| FINISH:   |  | DATE 1/17/2020  |  |
| WEIGHT:   |  | SHEET 3 OF 3  |  |
| 3363.98 LBS   |  | DRAWING NOT TO SCALE  |  |



|  |  |  |  |
|--|--|--|--|
| <b>UNLESS OTHERWISE SPECIFIED:</b><br>PROPRIETARY AND CONFIDENTIAL<br>THE INFORMATION CONTAINED IN THIS DRAWING IS THE SOLE PROPERTY OF REELSTRONG, INC. ALL RIGHTS ARE RESERVED. NO PART OF THIS DRAWING IS TO BE REPRODUCED OR TRANSMITTED IN ANY FORM OR BY ANY MEANS, ELECTRONIC OR MECHANICAL, INCLUDING PHOTOCOPYING, RECORDING, OR BY ANY INFORMATION STORAGE AND RETRIEVAL SYSTEM, WITHOUT THE WRITTEN PERMISSION OF Reelstrong, Inc. IS PROHIBITED. |  | DIMENSIONS ARE IN INCHES<br>TOLERANCE LIMITS<br>DECIMAL: .005<br>FRACTIONAL: 1/32<br>ANGLES: .010<br>HOLE LOCATIONS: .010<br>DECIMAL: .005<br>FRACTIONAL: 1/32 |  |
| <b>REELSTRONG</b><br>UTILITY FLIGHT<br>203 S. Oak St., Wallingford, PA 17380<br>P: 484-839-8048 F: 888-330-3932 info@reelstrong.com  |  | TITLE: <b>PLC12</b><br>MATERIAL:<br>FINISH:<br>APPROX WEIGHT:  |  |
| SHEET 2 OF 2<br>DRAWING NOT TO SCALE   |  | DATE: 8/13/2019<br>PART NO.: 503-000000  |  |



|  |  |   |                      |
|--|--|---|----------------------|
| <b>UNLESS OTHERWISE SPECIFIED:</b><br>PROPRIETARY AND CONFIDENTIAL<br>THE INFORMATION CONTAINED IN THIS DRAWING IS THE SOLE PROPERTY OF REELSTRONG UTILITY FLEET, INC. IN PART OR AS A WHOLE WITHOUT THE WRITTEN PERMISSION OF ReelStrong, Inc. IS PROHIBITED. |  | DIMENSIONS ARE IN INCHES<br>TOLERANCE LIMITS<br>DECIMAL: .005<br>FRACTIONAL: XX/64<br>DECIMAL: .XX = +0.010<br>DECIMAL: .XXX = +0.005 |                      |
| <b>REELSTRONG UTILITY FLEET</b><br>283 S. Oak St., Malvern, PA 17543<br>P: 484-839-8048 F: 888-330-3932 info@reelstrong.com  |  | TITLE: <b>PLC18</b>   |                      |
| SHEET 1 OF 2<br>DRAWING NOT TO SCALE   |  | DATE: 8/13/2019   | PART NO.: 503-000000 |