

REELSTRONG[®]

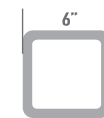
UTILITY FLEET

PINLESS REEL & POLE TRAILERS PATENTED FOR SAFETY AND PERFORMANCE



**NO LOST
REELS
ON THE ROAD**

PINLESS = SAFETY FIRST



**ULTRA STURDY
SYMMETRICAL
TONGUE**



BUILT FOR SAFETY * BUILT FOR SPEED * BUILT TO LAST



“I’VE NEVER SEEN ANYTHING MORE USER FRIENDLY AND FROM A SAFETY PERSPECTIVE I COULDN’T BE MORE CONFIDENT.”

“REELSTRONG EQUIPMENT ALLOWED US TO GREATLY REDUCE THE NUMBER OF PEOPLE NEEDED ON JOBS.”

“THESE ARE HIGH QUALITY TRAILERS WITH LOTS OF OPTIONS AND I WOULD HIGHLY RECOMMEND CALLING THEM. THEY ARE SPOT ON WITH THE POLE TRAILERS THEY HAVE TO OFFER.”

REELSTRONG®

BUILT FOR SAFETY ★ BUILT FOR SPEED ★ BUILT TO LAST

**LIFETIME WARRANTY
PROPRIETARY TECHNOLOGY**



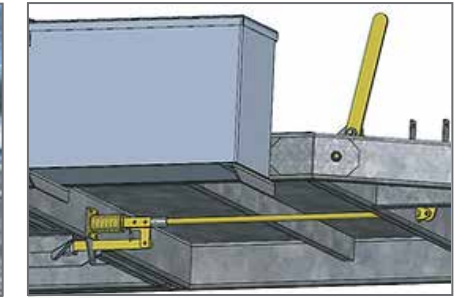
**POWERLOCK™
REEL BAR SECUREMENT**
(Non-Encapsulated top means less drag and friction)



**POWERLOCK II™
REEL BAR SECUREMENT**
(w/ Safety Indicators)



**POWERLOCK III™
DECK SECUREMENT**



**AUTOLOCK™
REEL BAR SECUREMENT**



**MEGA-ROLLER SYSTEM
TONGUE SECUREMENT**
(w/Self-Securing Securelock™)



**PINLESS SIDELOCK™
REEL BAR SECUREMENT**
(w/Pinless Powerlock™)

VALUE ADDED FEATURES



**NON-BINDING
EZ-SLIDE STANCHIONS**



OVERSIZED 20" SLEWING RING
(Lockable at every 3 degree interval)



TONGUE WIRING IN CAT TRACK
(No need to unplug tongue)

SELF-LOADING REEL TRAILERS



GR POWERLOCK II™



CL8 AUTOLOCK™ ELECTRIC UTILITY GRADE



CLD14 POWERLOCK™ w/ DECK



CLD20 POWERLOCK™



ALIO-6 POWERLOCK™ ALL-IN-ONE



ALIO-9 POWERLOCK™ ALL-IN-ONE



LA22 ACME-CLAMP™



LA24 ACME-CLAMP™

MANUAL LOAD REEL TRAILERS



PL8 POWERLOCK™ STRINGING SERIES



PL12 POWERLOCK™ STRINGING SERIES



PLC POWERLOCK™ REEL / CARGO



MRST2-RC POWERLOCK™ REEL / CARGO



MRST3 POWERLOCK™ REEL



MRST3-RC POWERLOCK™ REEL / CARGO



MRST4 POWERLOCK™ REEL



MRST4-RC POWERLOCK™ REEL / CARGO

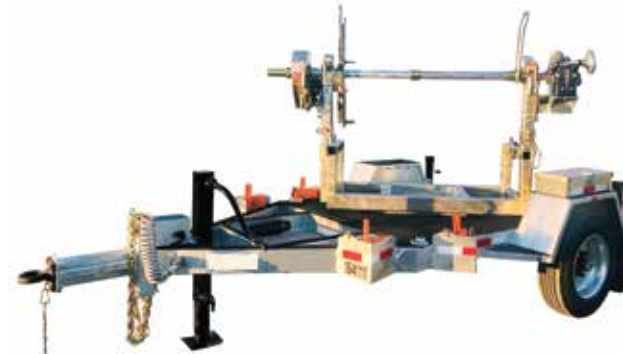


MRST3-4-RC POWERLOCK™ REEL/CARGO

TURRET TRAILERS



PL-1RT POWERLOCK™ SINGLE



PL-1RT POWERLOCK™ SINGLE - LOADED



PL-2RT POWERLOCK™ DOUBLE



PL-3RT POWERLOCK™ TRIPLE



PL-4RT POWERLOCK™ QUADRUPLE



PLT-SL10 POWERLOCK™ SELF-LOADER

REEL STANDS



RS5-8 POWERLOCK™



RS10-12 POWERLOCK™



RS30 POWERLOCK™



TS8 POWERLOCK™
TURRET SKID

POLE TRAILERS

LIFETIME WARRANTY
HEAVY DUTY MEGA-ROLLER SYSTEM

FOR SAFER, EASIER ONE-MAN TELESCOPING (no truck required to telescope)
AND VIRTUALLY ZERO MAINTENANCE (no wear pads required)
HEAVY DUTY SQUARE TONGUE FOR LESS BENDING/TWISTING
SECURELOCK™ TECHNOLOGY FOR SAFETY, SPEED AND LESS MAINTENANCE



CPT COMBINATION POLE, CARGO, REEL W/ MEGA-ROLLER™



CPTDL COMBINATION POLE, CARGO, REEL, DUMP W/ MEGA-ROLLER™



PT GENERAL DUTY W/ MEGA-ROLLER™



PT MEDIUM DUTY W/ MEGA-ROLLER™



PT HEAVY DUTY TRANSMISSION W/ MEGA-ROLLER™ & REAR EXTENSION

SPU-35 MOBILE P-LINE PULLER

- UNIVERSAL ADAPTER AND ADJUSTABLE ROLLERS THAT ACCEPT ALL MAJOR PILOT LINE PULLING SYSTEM MANUFACTURERS
- PATENT PENDING 180° UNDERGROUND/OVERHEAD TURRET WINCH LEVEL WIND AND DIRECTIONAL CONTROL ALL-IN-ONE
 - 3,000 LBS. OF PULL FOR URD OR OVD
 - HYDRAULICALLY CONTROLLED WINCH TRAVERSE THAT PREVENTS THE POSSIBILITY OF A RUNAWAY WINCH



- VANGUARD 35 HP ENGINE PACK W/NOISE SUPPRESSION (T4 DIESEL OPTIONAL)
 - STANDARD GALVANIZING W/10-YEAR STRUCTURAL WARRANTY
 - SMOOTH TORSION AXLE
 - LOW CENTER OF GRAVITY
- NOW STANDARD W/MID AND REAR HYDRAULIC OUTRIGGERS

WIND / SOLAR TRAILERS



SL20-23 2 TO 3 REEL SLIDELOCK™



SL24-34 3 TO 4 REEL SLIDELOCK™



SL50-45 4 TO 5 REEL SLIDELOCK™



EASILY SWITCH BETWEEN REEL CONFIGURATIONS BY RETRACTING AND EXTENDING THE CORRESPONDING SLIDELOCK™ SYSTEMS.



GAS / COIL PIPE TRAILERS



SP-RE REAR EXTENDING MEGA-ROLLER™ STICK PIPE



SP-ST MEGA-ROLLER™ STICK PIPE



CP3 COIL PIPE



CP10 DOUBLE COIL PIPE

GRAVITY / POWER TILT TRAILERS



TD13 PINLESS
AUTOLOCKING POWERLOCK III™



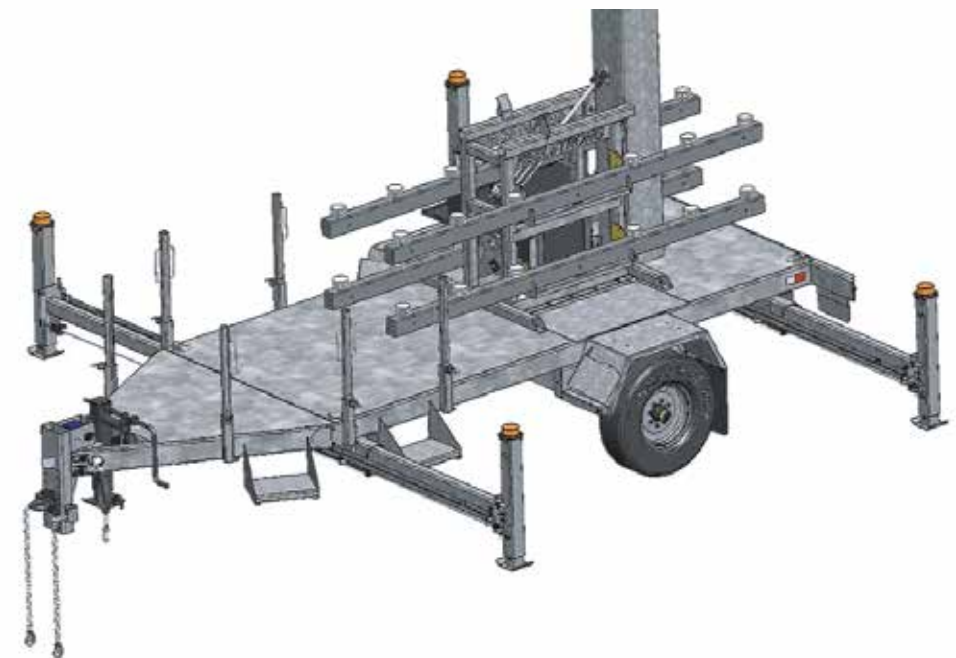
TD20 PINLESS
AUTOLOCKING POWERLOCK III™



TD23-DO PINLESS
AUTOLOCKING POWERLOCK III™

FASTPOLE™ TEMPORARY POLE SOLUTION

- TEMPORARILY REPLACES UP TO A 60' POLE WITH 7.5' OF ADDITIONAL HEIGHT TO RAISE THE WIRES
- TELESCOPING MAST WITH UNPARALLELED SAFETY FEATURES AND REDUNDANCIES
- DESIGNED FOR EASE-OF-USE, RELIABILITY AND LOW-MAINTENANCE
 - VERTICAL MAST CAPACITY: 2,000 LBS
 - POWER SOURCE: TOOL CIRCUIT VIA TRUCK
 - POWER FOR LIGHTS: SELF-CONTAINED



**3-D ENGINEERING SUPPORTS
CONFIDENT DESIGN APPROVAL PROCESS**



Backed by the best guarantee in the industry,
REELSTRONG offers the Safest, Lowest Maintenance and Easiest to use
Powerline Construction Equipment in the world—Hands Down.
Our Pinless Reel Trailers and Mega-Roller Pole Trailers
provide what we strongly believe is the
LOWEST TOTAL COST OF OWNERSHIP
on the market.

**VIRTUALLY
MAINTENANCE FREE**



REELSTRONG
UTILITY FLEET

882 SOUTH CHIQUES ROAD - MANHEIM, PA 17545

717-618-8320

INFO@REELSTRONGUFLEET.COM

• REELSTRONGUFLEET.COM •